



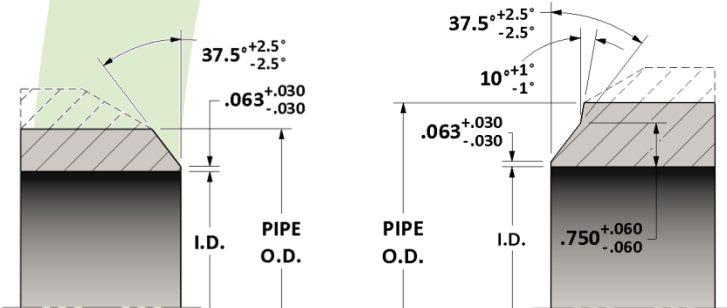
# Butt Weld Eccentric Reducer

**Specification:** Dimensions per ASME B16.9  
Weld levels per ASME B16.25

**Material:** Available in a complete range of Carbon Steels, Stainless Steels, Alloy Steels and Non-ferrous metals certified to ASTM, ASME, and Military standards.

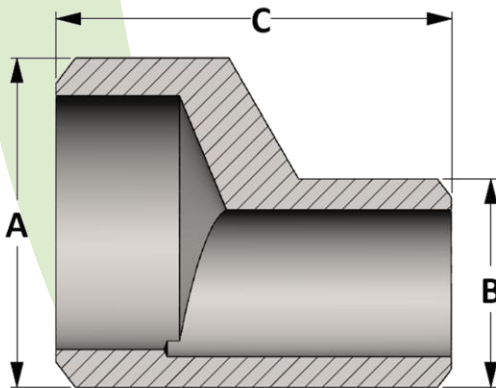
**Sizes:** 1/4" - 8" in S40/STD, S80/XH, S160 & XXH  
Also available in special pipe schedules and split schedules

## Butt Weld Ends Details

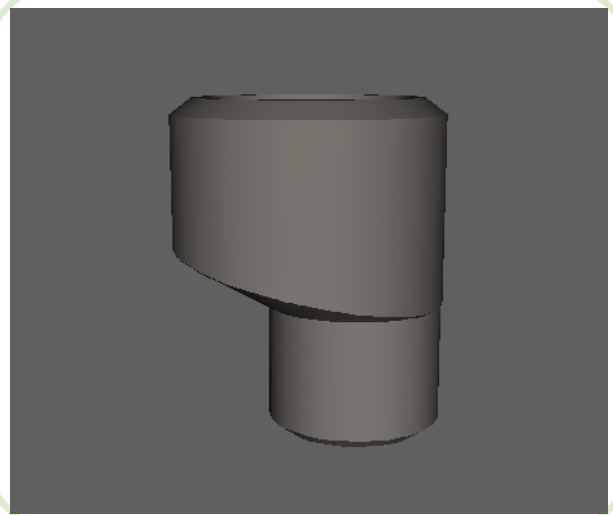


Weld levels for wall thickness below 0.880"

Weld levels for wall thickness above 0.880"



Active  
3D  
Model



All dimensions are in inches • Weights are based on Carbon Steel

Pipe Size	Dimensions			Weights				
	A	B	C	STD	XH	S160	XXH	
1/2	1/4	0.840	0.540	1.500	0.09	0.10	0.15	---
	3/8	0.840	0.675	1.500	0.09	0.09	0.15	0.18
3/4	1/4	1.050	0.540	1.500	0.15	0.15	0.20	---
	3/8	1.050	0.675	1.500	0.14	0.14	0.21	0.25
1	1/2	1.050	0.840	1.500	0.14	0.14	0.22	0.28
	1/4	1.315	0.540	2.000	0.30	0.27	0.37	---
	3/8	1.315	0.675	2.000	0.28	0.27	0.37	0.48
	1/2	1.315	0.840	2.000	0.27	0.27	0.38	0.50
1-1/4	3/4	1.315	1.050	2.000	0.26	0.26	0.41	0.54
	1/4	1.660	0.540	2.000	0.40	0.45	0.57	---
	3/8	1.660	0.675	2.000	0.39	0.43	0.56	0.70
	1/2	1.660	0.840	2.000	0.37	0.42	0.56	0.71
1-1/2	3/4	1.660	1.050	2.000	0.36	0.39	0.57	0.73
	1	1.660	1.315	2.000	0.36	0.39	0.60	0.78
	3/8	1.900	0.675	2.500	0.65	0.65	0.88	---
	1/2	1.900	0.840	2.500	0.63	0.64	0.87	1.14
2	3/4	1.900	1.050	2.500	0.60	0.60	0.88	1.14
	1	1.900	1.315	2.500	0.58	0.59	0.91	1.19
	1-1/4	1.900	1.660	2.500	0.56	0.56	0.92	1.26
	3/4	2.375	1.050	3.000	1.05	1.05	1.68	2.03
2	1	2.375	1.315	3.000	1.01	1.01	1.66	2.05
	1-1/4	2.375	1.660	3.000	0.95	0.95	1.61	2.07
	1-1/2	2.375	1.900	3.000	0.92	0.92	1.66	2.10

Pipe Size	Dimensions			Weights				
	A	B	C	STD	XH	S160	XXH	
2-1/2	3/4	2.875	1.050	3.500	1.79	2.00	2.59	3.25
	1	2.875	1.315	3.500	1.73	1.91	2.59	3.27
	1-1/4	2.875	1.660	3.500	1.61	1.76	2.47	3.26
	1-1/2	2.875	1.900	3.500	1.54	1.68	2.50	3.28
3	2	2.875	2.375	3.500	1.46	1.53	2.68	3.40
	1	3.500	1.315	3.500	2.74	3.03	4.15	4.85
	1-1/4	3.500	1.660	3.500	2.52	2.79	3.93	4.74
	1-1/2	3.500	1.900	3.500	2.39	2.63	3.86	4.68
3-1/2	2	3.500	2.375	3.500	2.15	2.33	3.83	4.61
	2-1/2	3.500	2.875	4.000	2.18	2.30	3.82	5.00
	1-1/2	4.000	1.900	4.000	3.44	3.79	---	6.45
	2	4.000	2.375	4.000	3.11	3.39	---	6.33
4	2-1/2	4.000	2.875	4.000	3.07	3.29	---	6.23
	3	4.000	3.500	4.000	2.95	3.06	---	7.09
	1-1/2	4.500	1.900	4.500	4.68	4.68	7.02	8.11
	2	4.500	2.375	4.500	4.18	4.18	6.80	7.85
6	2-1/2	4.500	2.875	4.500	3.98	3.98	6.57	8.10
	3	4.500	3.500	4.500	3.63	3.63	6.64	8.24
	3-1/2	4.500	4.000	4.500	3.51	3.51	---	8.57
	3	6.625	3.500	5.500	12.76	12.76	20.28	22.18
6	3-1/2	6.625	4.000	5.500	11.68	11.67	---	21.71
	4	6.625	4.500	5.500	10.72	10.72	19.48	21.48
	5	6.625	5.563	5.500	9.18	9.18	19.76	21.75