

Threaded x Socket Weld Reducer

Specification: ASME B16.11 for Class 3000 and 6000 only

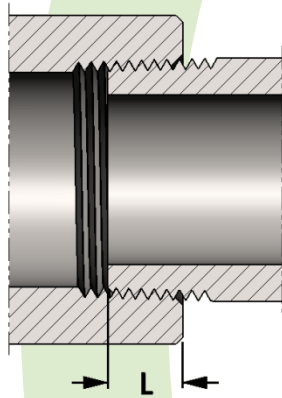
Material: Available in a complete range of Carbon Steels, Stainless Steels, Alloy Steels and Non-ferrous metals certified to ASTM, ASME, and Military standards.

Sizes: 1/4" - 12" in CL 3000 and 1/4" - 8" in CL 6000

Also available in 1/4" - 4" in CL 9000

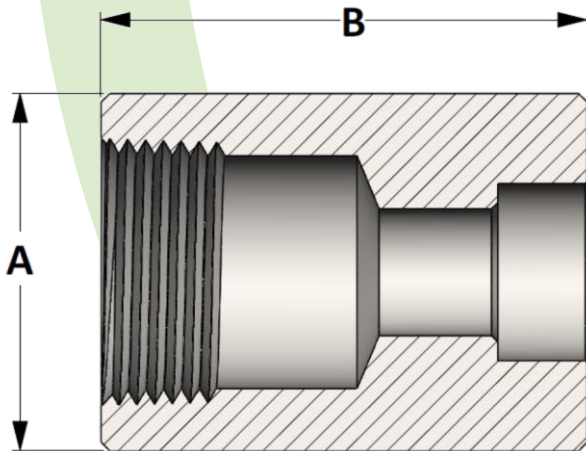
Threads: American National Standard Taper Pipe Threads
NPT (ANSI/ASME B1.20.1-1983)

Also available in other thread forms: NPTF, NPSC, NPSM, NGT, SAE, BSPT, BSPP and in any combination.
Left hand threads available upon request.

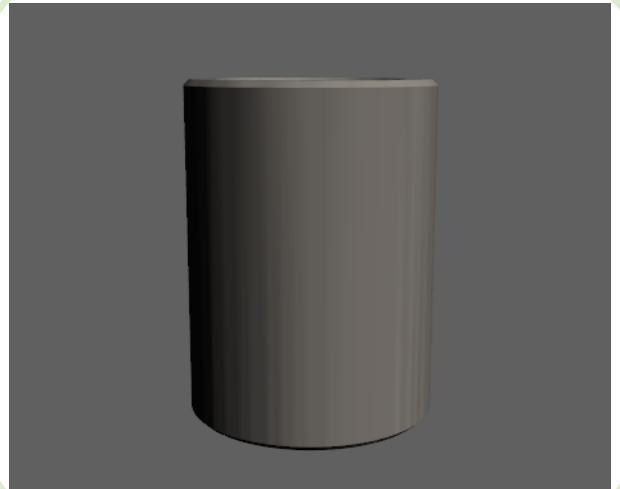


SIZE	L	SIZE	L
1/8	0.273	2	0.697
1/4	0.395	2-1/2	0.933
3/8	0.407	3	1.016
1/2	0.534	3-1/2	1.071
3/4	0.553	4	1.094
1	0.661	5	1.187
1-1/4	0.681	6	1.208
1-1/2	0.681	8	1.313

**Length of thread
screwed into fitting**



Active
3D
Model



All dimensions are in inches • Weights are based on Carbon Steel

PIPE SIZE	CLASS 3000 – Figure No. 03060												
	1/8	1/4	3/8	1/2	3/4	1	1-1/4	1-1/2	2	2-1/2	3	3-1/2	4
A	---	0.750	0.875	1.125	1.375	1.750	2.250	2.500	3.000	3.625	4.250	4.750	5.500
B	---	1.375	1.500	1.875	2.000	2.375	2.625	3.125	3.375	3.625	4.250	4.500	4.750
LBS	---	0.12	0.18	0.39	0.61	1.22	2.20	3.22	4.69	7.62	11.44	14.91	21.85

PIPE SIZE	CLASS 6000 – Figure No. 06060												
	1/8	1/4	3/8	1/2	3/4	1	1-1/4	1-1/2	2	2-1/2	3	3-1/2	4
A	---	1.000	1.250	1.500	1.750	2.250	2.500	3.000	3.625	4.250	5.000	5.750	6.250
B	---	1.375	1.500	1.875	2.000	2.375	2.625	3.125	3.375	3.625	4.250	4.500	4.750
LBS	---	0.26	0.45	0.79	1.13	2.27	2.89	5.13	7.78	11.57	17.97	25.36	31.11