

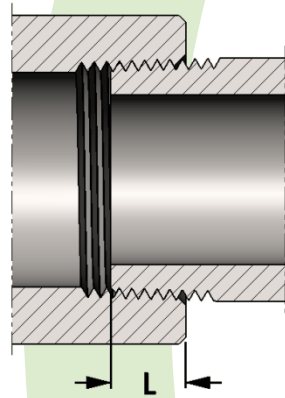


# Threaded Tee

ISO 9001 & PED Certified  
Canadian Registered in all provinces

**Specification:** ASME B16.11

**Material:** Available in a complete range of Carbon Steels, Stainless Steels, Alloy Steels and Non-ferrous metals certified to ASTM, ASME, and Military standards.



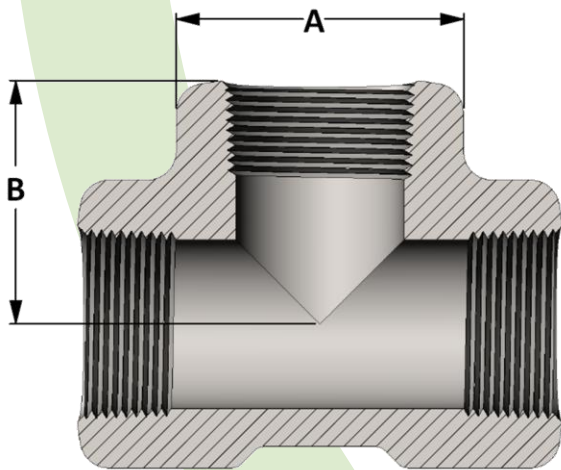
SIZE	L	SIZE	L
1/8	0.273	2	0.697
1/4	0.395	2-1/2	0.933
3/8	0.407	3	1.016
1/2	0.534	3-1/2	1.071
3/4	0.553	4	1.094
1	0.661	5	1.187
1-1/4	0.681	6	1.208
1-1/2	0.681	8	1.313

**Length of thread  
screwed into fitting**

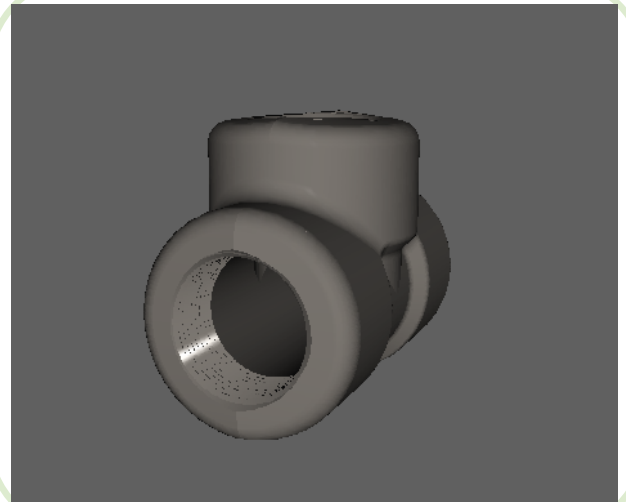
**Sizes:** 1/8" - 4" in CL 2000 and CL 3000 • 1/8" - 3-1/2" in CL 6000  
Also available in CL 9000 and CL 10,000 in reducing pipe sizes

**Threads:** American National Standard Taper Pipe Threads  
NPT (ANSI/ASME B1.20.1-1983)  
Also available in other thread forms: NPTF, NPSC, NPSM, NGT, SAE, BSPT, BSPP and in any combination.  
Left hand threads available upon request.

Threaded Pressure Class	Pipe Schedule
Class 2000	S80/XH
Class 3000	S160
Class 6000	XXH



Active  
3D  
Model



All dimensions are in inches • Weights are based on Carbon Steel

PIPE SIZE	CLASS 2000 – Figure No. 02002												
	1/8	1/4	3/8	1/2	3/4	1	1-1/4	1-1/2	2	2-1/2	3	3-1/2	4
A	0.875	0.875	1.063	1.313	1.500	1.813	2.188	2.500	3.000	3.625	4.313	---	5.875
B	0.875	0.875	0.969	1.125	1.313	1.500	1.750	2.000	2.375	3.000	3.375	---	4.188
LBS	0.31	0.24	0.37	0.67	0.91	1.38	1.96	3.10	4.98	9.31	13.32	---	28.02

PIPE SIZE	CLASS 3000 – Figure No. 03002												
	1/8	1/4	3/8	1/2	3/4	1	1-1/4	1-1/2	2	2-1/2	3	3-1/2	4
A	0.875	1.063	1.313	1.500	1.813	2.188	2.500	3.000	3.313	4.000	4.750	5.875	5.875
B	0.875	0.969	1.125	1.313	1.500	1.750	2.000	2.375	2.500	3.250	3.750	4.188	4.188
LBS	0.31	0.45	0.78	1.20	1.87	2.95	3.92	7.35	7.58	14.61	22.82	36.19	28.02

PIPE SIZE	CLASS 6000 – Figure No. 06002												
	1/8	1/4	3/8	1/2	3/4	1	1-1/4	1-1/2	2	2-1/2	3	3-1/2	4
A	1.063	1.313	1.500	1.813	2.188	2.500	3.000	3.313	4.000	4.750	5.875	5.875	---
B	0.969	1.125	1.313	1.500	1.750	2.000	2.375	2.500	3.250	3.750	4.188	4.188	---
LBS	0.44	0.91	1.36	2.21	3.57	5.11	8.25	10.46	17.54	30.65	49.80	38.23	---