



# Threaded O-Ring Union

**Specification:** O-Ring groove per AS 568 B

**Material:** Available in a complete range of Carbon Steels, Stainless Steels, Alloy Steels and Non-ferrous metals certified to ASTM, ASME, and Military standards.

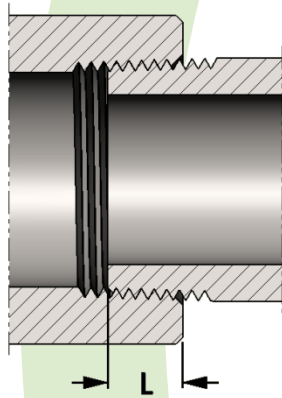
**O-Ring Material:** Available in Buna, Viton, or Teflon. Durometer hardness corresponds to pressure class.

**Sizes:** 1/8" - 3" in CL 3000 • 1/8" - 2-1/2" in CL 6000

**Threads:** American National Standard Taper Pipe Threads NPT (ANSI/ASME B1.20.1-1983)

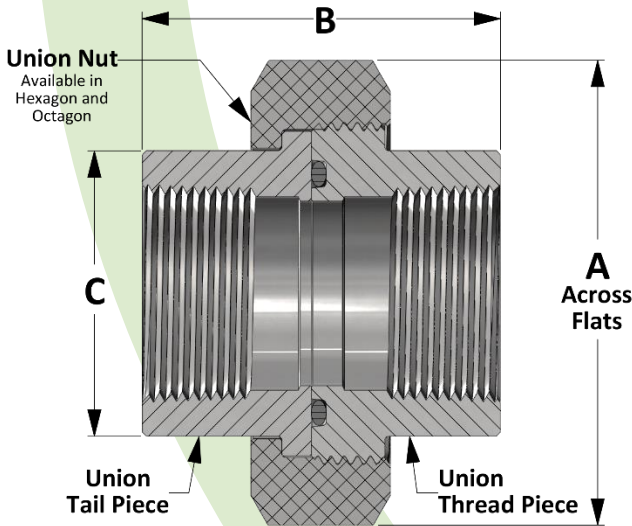
Also available in other thread forms: NPTF, NPSC, NPSM, NGT, SAE, BSPT, BSPP and in any combination. Left hand threads available upon request.

| Threaded Pressure Class | Pipe Schedule |
|-------------------------|---------------|
| Class 3000              | S160          |
| Class 6000              | XXH           |

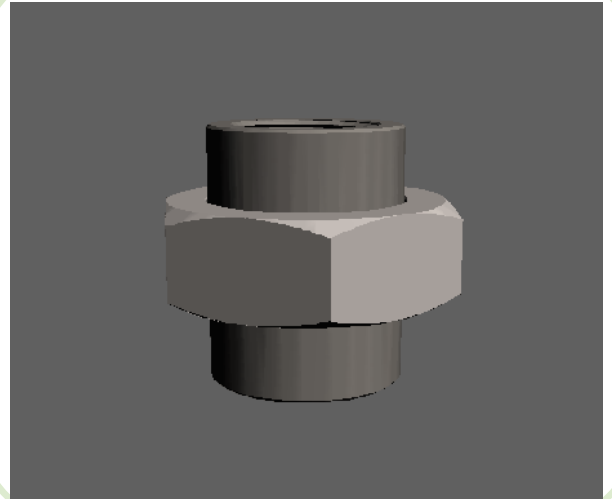


| SIZE  | L     | SIZE  | L     |
|-------|-------|-------|-------|
| 1/8   | 0.273 | 2     | 0.697 |
| 1/4   | 0.395 | 2-1/2 | 0.933 |
| 3/8   | 0.407 | 3     | 1.016 |
| 1/2   | 0.534 | 3-1/2 | 1.071 |
| 3/4   | 0.553 | 4     | 1.094 |
| 1     | 0.661 | 5     | 1.187 |
| 1-1/4 | 0.681 | 6     | 1.208 |
| 1-1/2 | 0.681 | 8     | 1.313 |

**Length of thread  
screwed into fitting**



**Animated  
Model**



All dimensions are in inches • Weights are based on Carbon Steel

| CLASS 3000 – Figure No. 03035 |       |       |       |       |       |       |       |       |       |       |       |
|-------------------------------|-------|-------|-------|-------|-------|-------|-------|-------|-------|-------|-------|
| PIPE SIZE                     | 1/8   | 1/4   | 3/8   | 1/2   | 3/4   | 1     | 1-1/4 | 1-1/2 | 2     | 2-1/2 | 3     |
| A                             | 1.375 | 1.375 | 1.625 | 1.813 | 2.25  | 2.563 | 3.063 | 3.438 | 4.063 | 4.875 | 5.688 |
| B                             | 1.625 | 1.625 | 1.781 | 1.906 | 2.218 | 2.406 | 2.718 | 2.968 | 3.343 | 3.906 | 4.218 |
| C                             | 0.865 | 0.865 | 1.025 | 1.235 | 1.465 | 1.795 | 2.165 | 2.425 | 2.965 | 3.615 | 4.305 |
| LBS                           | 0.45  | 0.40  | 0.65  | 0.77  | 1.19  | 1.73  | 2.74  | 3.60  | 5.51  | 8.90  | 12.61 |

| CLASS 6000 – Figure No. 06035 |       |       |       |       |       |       |       |       |       |       |     |
|-------------------------------|-------|-------|-------|-------|-------|-------|-------|-------|-------|-------|-----|
| PIPE SIZE                     | 1/8   | 1/4   | 3/8   | 1/2   | 3/4   | 1     | 1-1/4 | 1-1/2 | 2     | 2-1/2 | 3   |
| A                             | 1.375 | 1.625 | 1.813 | 2.25  | 2.563 | 3.063 | 3.438 | 4.063 | 4.875 | 5.688 | --- |
| B                             | 1.625 | 1.781 | 1.906 | 2.218 | 2.406 | 2.718 | 2.968 | 3.343 | 3.906 | 4.218 | --- |
| C                             | 0.865 | 1.025 | 1.235 | 1.465 | 1.795 | 2.165 | 2.425 | 2.965 | 3.615 | 4.305 | --- |
| LBS                           | 0.48  | 0.56  | 0.75  | 1.35  | 2.01  | 3.17  | 3.92  | 6.60  | 10.12 | 14.00 | --- |