

# Threaded Orifice Union

ISO 9001 & PED Certified  
Canadian Registered in all provinces

**Material:** Available in a complete range of Carbon Steels, Stainless Steels, Alloy Steels and Non-ferrous metals certified to ASTM, ASME, and Military standards.

**Orifice Plate:** CL 3000 available as tabbed or un-tabbed.  
CL 6000 available as un-tabbed only.  
Orifice hole per customer request.

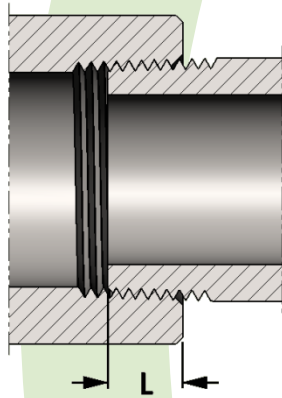
See our flow rate chart for orifice union hole sizes

**Sizes:** 1/8" - 4" in CL 3000 • 1/8" - 3" in CL 6000

**Threads:** American National Standard Taper Pipe Threads  
NPT (ANSI/ASME B1.20.1-1983)

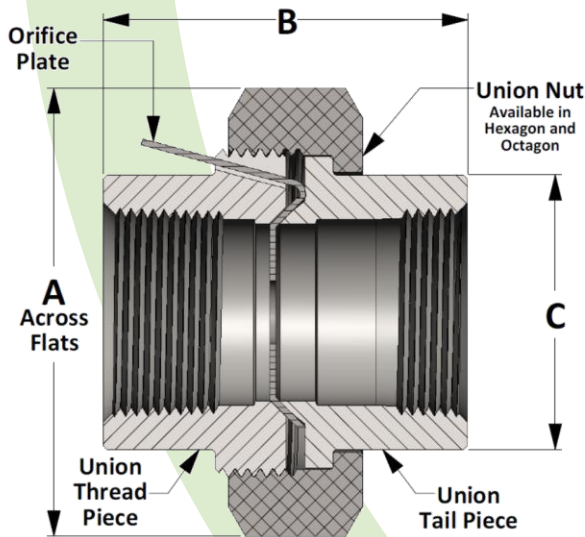
Also available in other thread forms: NPTF, NPSC, NPSM, NGT, SAE, BSPT, BSPP and in any combination.  
Left hand threads available upon request.

Threaded Pressure Class	Pipe Schedule
Class 3000	S160
Class 6000	XXH

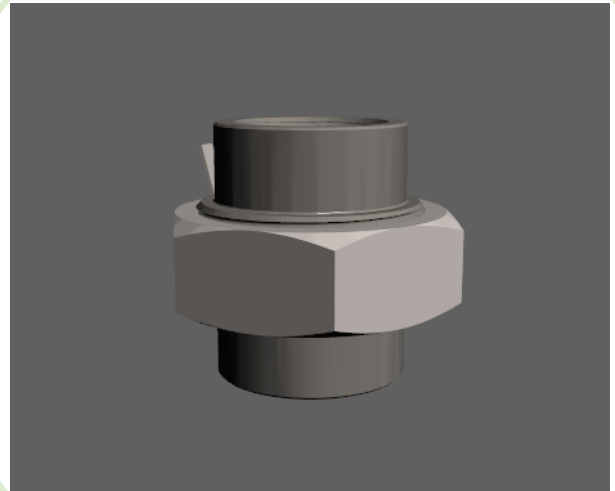


SIZE	L	SIZE	L
1/8	0.273	2	0.697
1/4	0.395	2-1/2	0.933
3/8	0.407	3	1.016
1/2	0.534	3-1/2	1.071
3/4	0.553	4	1.094
1	0.661	5	1.187
1-1/4	0.681	6	1.208
1-1/2	0.681	8	1.313

**Length of thread  
screwed into fitting**



Active  
3D  
Model



All dimensions are in inches • Weights are based on Carbon Steel

PIPE SIZE	CLASS 3000 – Figure No. 03030												
	1/8	1/4	3/8	1/2	3/4	1	1-1/4	1-1/2	2	2-1/2	3	3-1/2	4
A	1.375	1.375	1.625	1.813	2.25	2.563	3.063	3.438	4.063	4.875	5.688	6.875	6.875
B	1.625	1.625	1.750	2.000	2.313	2.500	2.813	3.000	3.438	4.000	4.375	8.000	8.000
C	0.865	0.865	1.025	1.235	1.465	1.795	2.165	2.425	2.965	3.615	4.305	5.415	5.415
LBS	0.45	0.40	0.65	0.77	1.19	1.73	2.74	3.60	5.51	8.90	12.61	36.92	17.50

PIPE SIZE	CLASS 6000 – Figure No. 06030												
	1/8	1/4	3/8	1/2	3/4	1	1-1/4	1-1/2	2	2-1/2	3	3-1/2	4
A	1.375	1.625	1.813	2.25	2.563	3.063	3.438	4.063	4.875	5.688	6.875	---	---
B	1.625	1.750	2.000	2.313	2.500	2.813	3.000	3.438	4.000	4.375	8.000	---	---
C	0.865	1.025	1.235	1.465	1.795	2.165	2.425	2.965	3.615	4.305	5.415	---	---
LBS	0.48	0.56	0.75	1.35	2.01	3.17	3.92	6.60	10.12	14.00	41.16	---	---

See our flow rate chart for orifice union hole sizes: [http://www.pennusa.com/products/orifice\\_union\\_hole\\_flow\\_rate\\_chart.php](http://www.pennusa.com/products/orifice_union_hole_flow_rate_chart.php)