



# Threaded Couplet

**Specification:** ASME B16.11 & ASME B31.1

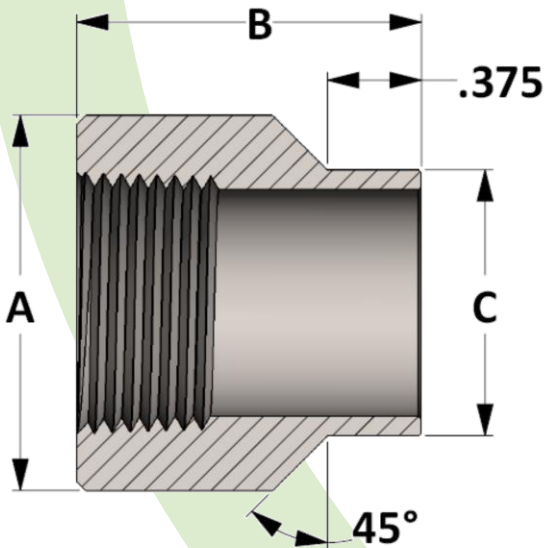
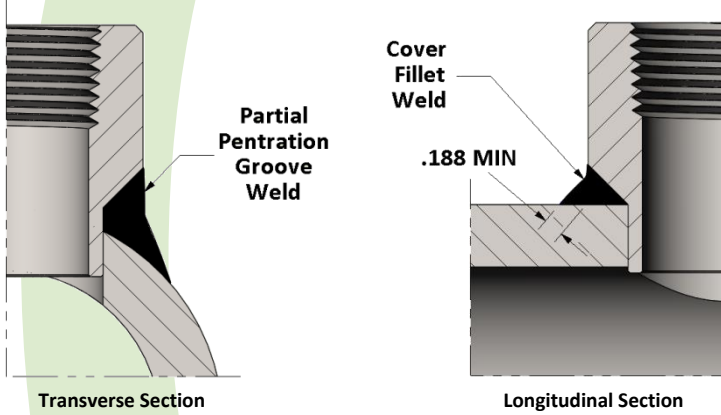
**Material:** Available in a complete range of Carbon Steels, Stainless Steels, Alloy Steels and Non-ferrous metals certified to ASTM, ASME, and Military standards.

**Sizes:** 1/4" - 4" in CL 3000 • 1/8" - 4" in CL 6000

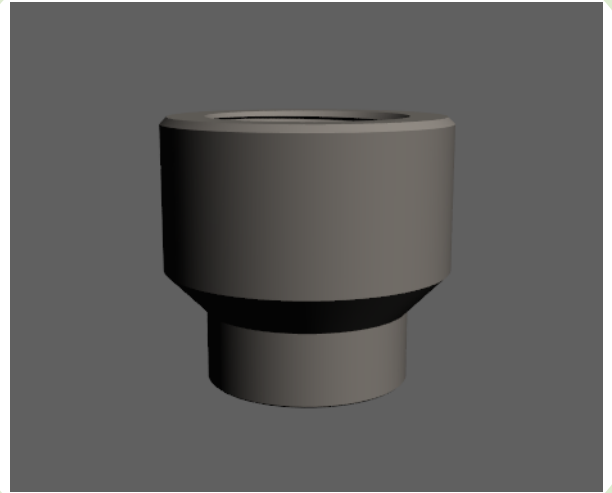
Also available in special pipe schedules/class rating, and special lengths

Socket Weld Pressure Class	Pipe Schedule
Class 3000	S160
Class 6000	XXH

## Welding onto Header Pipe



Active  
3D  
Model



All dimensions are in inches • Weights are based on Carbon Steel

CLASS 3000 – Figure No. 03018												
PIPE SIZE	1/8	1/4	3/8	1/2	3/4	1	1-1/4	1-1/2	2	2-1/2	3	4
A	---	0.938	1.063	1.312	1.500	1.813	2.188	2.500	3.125	3.625	4.375	5.563
B	---	1.188	1.188	1.312	1.375	1.688	1.875	2.000	2.250	2.500	2.750	3.000
C	---	0.688	0.812	0.938	1.063	1.312	1.688	1.938	2.438	2.875	3.500	4.500
LBS	---	0.15	0.17	0.27	0.32	0.56	0.88	1.23	2.02	3.04	4.09	7.39

CLASS 6000 – Figure No. 06018												
PIPE SIZE	1/8	1/4	3/8	1/2	3/4	1	1-1/4	1-1/2	2	2-1/2	3	4
A	0.875	1.000	1.250	1.500	1.750	2.250	2.500	3.000	3.625	4.250	5.000	6.625
B	1.188	1.188	1.188	1.312	1.375	1.688	1.875	2.000	2.250	2.500	2.750	3.000
C	0.563	0.688	0.812	0.938	1.063	1.312	1.688	1.938	2.438	2.875	3.500	4.500
LBS	0.13	0.16	0.23	0.36	0.45	0.95	1.26	1.96	3.07	4.77	6.87	10.9