



Sweep Outlet

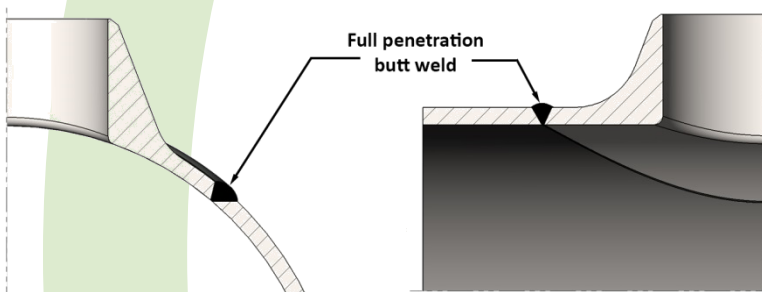
Specification: ASME B31.3

Also in ASME B31.1 and ASME BPVC Sec 1 & Sec 8 Div 2

Material: Available in a complete range of Carbon Steels, Stainless Steels, Alloy Steels and Non-ferrous metals certified to ASTM, ASME, and Military standards.

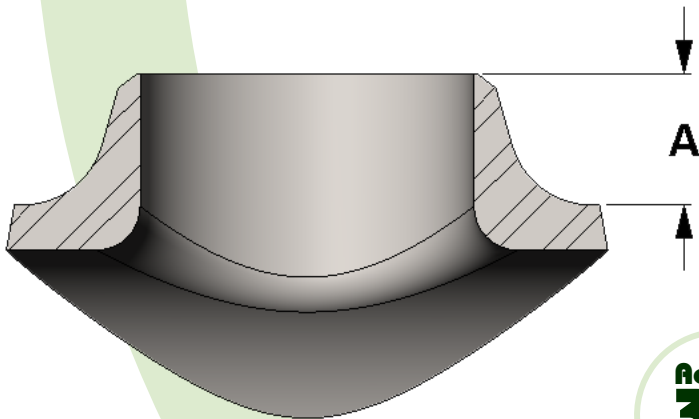
Sizes: 1/4" - 24" in all Schedules
Also available in other requirements such as pressure and temperature specifics and special header, branch wall thickness

Welding onto Header Pipe

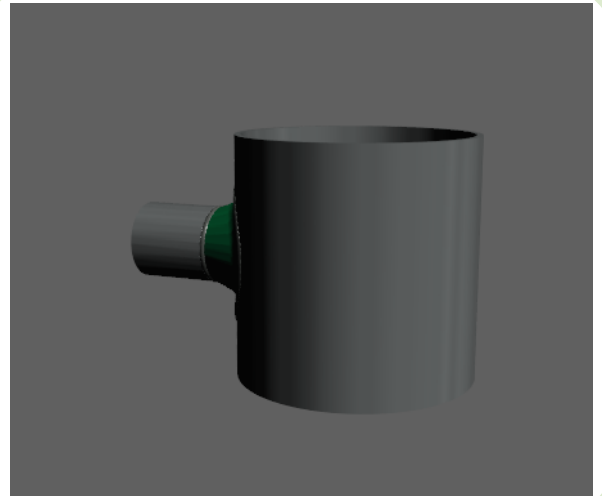


Transverse Section

Longitudinal Section



Active
3D
Model



All dimensions are in inches

PIPE SIZE	STD – Figure No. 45580 / XH – Figure No. 48580										
	1/4	3/8	1/2	3/4	1	1-1/4	1-1/2	2	2-1/2	3	4
A	0.875	0.875	0.875	0.875	1.000	1.250	1.313	1.500	1.625	1.656	2.031

A sweep outlet is a type of integrally reinforced branch connection used to facilitate radiography, one of many non-destructive tests (NDT) used to inspect welds. This type of NDT uses Gamma or X-rays to penetrate material. The rays are then passed through film on the opposite side. The exposed film is examined as a negative and displays the internal features. The thickness of the weld is shown through lighter or darker areas on the film.

