



Socket Weld x Threaded Reducer

ISO 9001 & PED Certified
Canadian Registered in all provinces

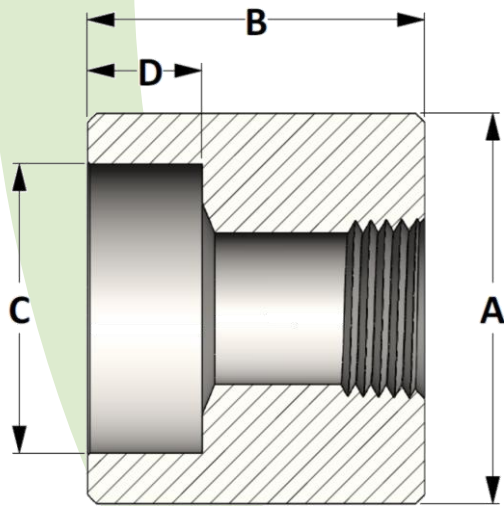
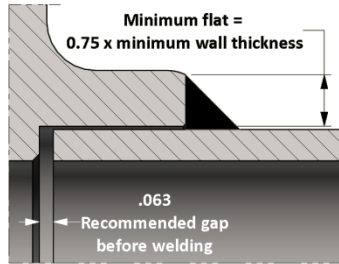
Specification: ASME B16.11 for Class 3000 and 6000 only

Material: Available in a complete range of Carbon Steels, Stainless Steels, Alloy Steels and Non-ferrous metals certified to ASTM, ASME, and Military standards.

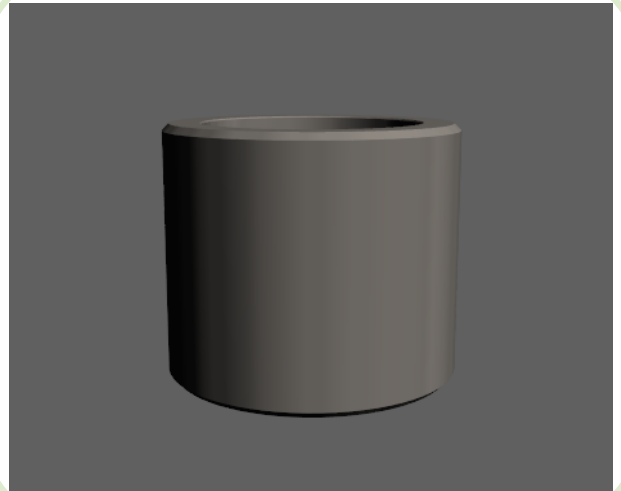
Sizes: 1/4" - 12" in CL 3000 • 1/4" - 6" in CL 6000 • 1/4" - 4" in CL 9000
Also available in tube sizes, special pipe schedules/class rating, and special lengths

Threads: American National Standard Taper Pipe Threads NPT (ANSI/ASME B1.20.1-1983)
Also available in other thread forms: NPTF, NPSC, NPSM, NGT, SAE, BSPT, BSPP and in any combination.
Left hand threads available upon request.

Welding Gap and Minimum Flat Dimension for Socket Weld Fittings



Active
3D
Model



All dimensions are in inches • Weights are based on Carbon Steel
Waterway of reducer is determined by schedule of small end

PIPE SIZE	CLASS 3000 – Figure No. 30061												
	1/8	1/4	3/8	1/2	3/4	1	1-1/4	1-1/2	2	2-1/2	3	3-1/2	4
A	---	0.875	1.063	1.250	1.500	1.813	2.250	2.500	3.000	3.625	4.313	5.000	5.500
B	---	1.125	1.125	1.250	1.438	1.563	1.563	1.563	2.063	2.063	2.063	2.313	2.313
C	---	0.560	0.693	0.859	1.071	1.335	1.682	1.922	2.410	2.910	3.536	4.036	4.545
D	---	0.438	0.438	0.438	0.531	0.531	0.531	0.531	0.656	0.656	0.656	0.781	0.781
LBS	---	0.14	0.21	0.33	0.55	0.89	1.39	1.70	3.09	4.60	6.51	9.79	11.72

PIPE SIZE	CLASS 6000 – Figure No. 60061												
	1/8	1/4	3/8	1/2	3/4	1	1-1/4	1-1/2	2	2-1/2	3	3-1/2	4
A	---	1.000	1.250	1.500	1.750	2.000	2.500	2.750	3.625	4.250	5.000	6.000	6.000
B	---	1.125	1.125	1.250	1.438	1.563	1.563	1.563	2.063	2.063	2.063	2.313	2.313
C	---	0.560	0.693	0.859	1.071	1.335	1.682	1.922	2.410	2.910	3.536	4.036	4.545
D	---	0.438	0.438	0.438	0.531	0.531	0.531	0.531	0.656	0.656	0.656	0.781	0.781
LBS	---	0.20	0.32	0.53	0.82	1.15	1.81	2.16	5.13	6.99	9.57	15.58	14.82

PIPE SIZE	CLASS 9000 – Figure No. 90061												
	1/8	1/4	3/8	1/2	3/4	1	1-1/4	1-1/2	2	2-1/2	3	3-1/2	4
A	---	1.250	1.500	1.750	2.000	2.500	2.750	3.000	3.625	4.500	5.500	6.000	6.500
B	---	1.125	1.125	1.250	1.438	1.563	1.563	1.563	2.063	2.063	2.063	2.313	2.313
C	---	0.560	0.693	0.859	1.071	1.335	1.682	1.922	2.410	2.910	3.536	4.036	4.545
D	---	0.438	0.438	0.438	0.531	0.531	0.531	0.531	0.656	0.656	0.656	0.781	0.781
LBS	---	0.34	0.55	0.76	1.12	1.93	2.26	2.65	5.02	7.90	11.88	15.48	17.92