

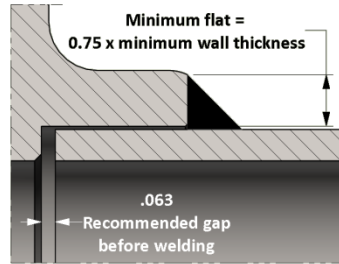


Socket Weld Lateral

ISO 9001 & PED Certified
Canadian Registered in all provinces

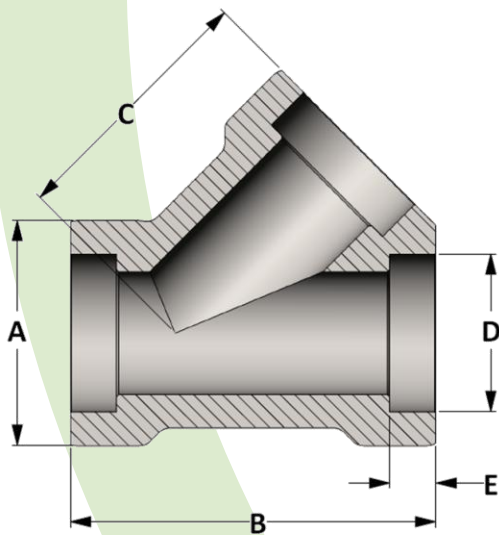
Material: Available in a complete range of Carbon Steels, Stainless Steels, Alloy Steels and Non-ferrous metals certified to ASTM, ASME, and Military standards.

Welding Gap and Minimum Flat Dimension for Socket Weld Fittings

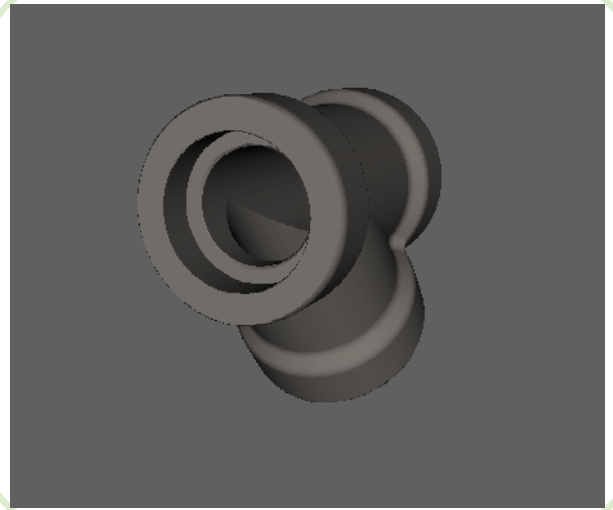


Sizes: 1/8" - 2-1/2" in Class 3000 & 6000 • 1/2" - 2" in Class 9000
Also available in CL 10,000 and reducing pipe sizes and tube sizes

Socket Weld Pressure Class	Pipe Schedule
Class 3000	S80/XH
Class 6000	S160
Class 9000	XXH



Active
3D
Model



All dimensions are in inches • Weights are based on Carbon Steel

CLASS 3000 – Figure No. 13006

PIPE SIZE	1/8	1/4	3/8	1/2	3/4	1	1-1/4	1-1/2	2	2-1/2
A	1.500	1.500	1.500	1.500	1.750	2.000	2.438	2.750	3.313	4.000
B	2.469	2.469	2.469	2.469	2.969	3.469	3.969	4.469	5.969	7.469
C	1.750	1.750	1.750	1.750	2.125	2.500	2.813	3.188	4.375	5.313
D	0.426	0.560	0.693	0.859	1.071	1.335	1.682	1.922	2.410	2.910
E	0.468	0.468	0.468	0.468	0.593	0.593	0.593	0.593	0.718	0.718
LBS	1.30	1.21	1.09	0.94	1.47	2.23	3.31	4.89	9.68	18.65

CLASS 6000 – Figure No. 16006

PIPE SIZE	1/8	1/4	3/8	1/2	3/4	1	1-1/4	1-1/2	2	2-1/2
A	1.500	1.500	1.500	1.500	1.750	2.000	2.438	2.750	3.313	4.000
B	2.469	2.469	2.469	2.469	2.969	3.469	3.969	4.469	5.969	7.469
C	1.750	1.750	1.750	1.750	2.125	2.500	2.813	3.188	4.375	5.313
D	0.426	0.560	0.693	0.859	1.071	1.335	1.682	1.922	2.410	2.910
E	0.468	0.468	0.468	0.468	0.593	0.593	0.593	0.593	0.718	0.718
LBS	1.32	1.26	1.17	1.04	1.66	2.70	3.84	5.57	11.63	21.86

CLASS 9000 – Figure No. 19006

PIPE SIZE	1/8	1/4	3/8	1/2	3/4	1	1-1/4	1-1/2	2	2-1/2
A	---	---	---	1.750	2.000	2.438	2.750	3.313	4.000	---
B	---	---	---	2.969	3.469	3.969	4.469	5.969	7.469	---
C	---	---	---	2.125	2.500	2.813	3.188	4.375	5.313	---
D	---	---	---	0.859	1.071	1.335	1.682	1.922	2.410	---
E	---	---	---	0.468	0.593	0.593	0.593	0.593	0.718	---
LBS	---	---	---	2.17	3.34	4.91	7.25	15.63	27.93	---