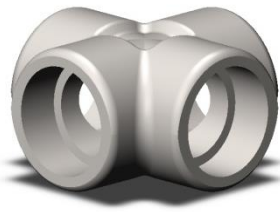


ISO 9001 & PED Certified
Canadian Registered in all provinces

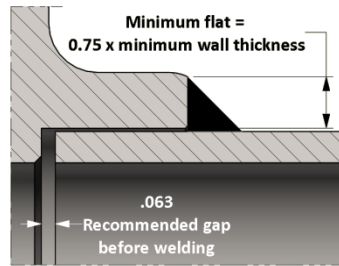


Specification: ASME B16.11

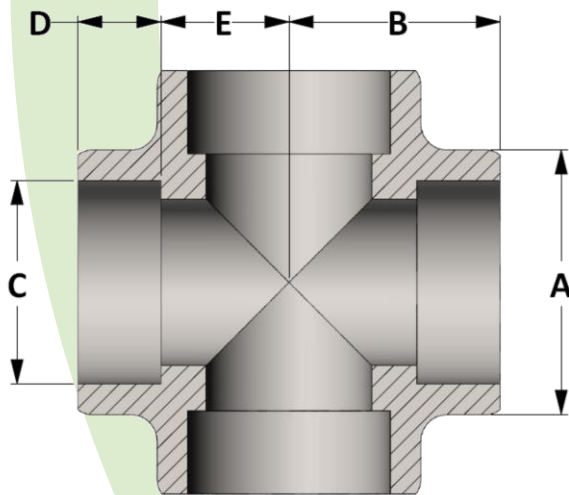
Material: Available in a complete range of Carbon Steels, Stainless Steels, Alloy Steels and Non-ferrous metals certified to ASTM, ASME, and Military standards.

Sizes: 1/8" - 4" in Class 3000 & 6000 • 1/8" - 3-1/2" in Class 9000
Also available CL 10,000 and in reducing pipe sizes and tube sizes

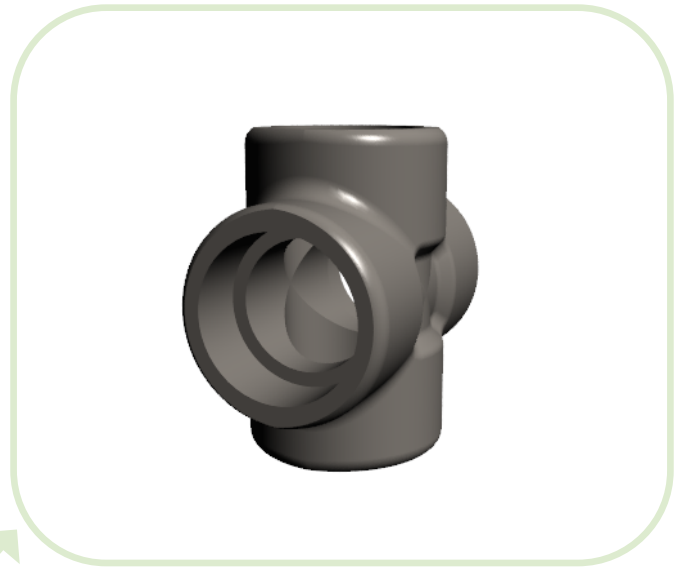
Welding Gap and Minimum Flat Dimension For Socket Weld Fittings



Socket Weld Pressure Class	Pipe Schedule
Class 3000	S80/XH
Class 6000	S160
Class 9000	XXH



Active
3D
Model



All dimensions are in inches • Weights are based on Carbon Steel

CLASS 3000 – Figure No. 13004

PIPE SIZE	1/8	1/4	3/8	1/2	3/4	1	1-1/4	1-1/2	2	2-1/2	3	4
A	1.063	1.063	1.063	1.313	1.500	1.813	2.188	2.500	3.000	3.625	4.313	5.875
B	0.969	0.969	0.969	1.125	1.313	1.500	1.750	2.000	2.375	3.000	3.375	4.188
C	0.426	0.560	0.693	0.859	1.071	1.335	1.682	1.922	2.410	2.910	3.536	4.545
D	0.438	0.438	0.438	0.500	0.563	0.625	0.688	0.750	0.875	1.625	1.125	1.566
E	0.531	0.531	0.531	0.625	0.750	0.875	1.063	1.250	1.500	1.625	2.250	2.625
LBS	0.47	0.40	0.35	0.73	0.96	1.53	2.32	3.59	5.50	14.97	17.56	30.84

CLASS 6000 – Figure No. 16004

PIPE SIZE	1/8	1/4	3/8	1/2	3/4	1	1-1/4	1-1/2	2	2-1/2	3	4
A	1.063	1.063	1.313	1.500	1.813	2.188	2.500	3.000	3.313	4.000	4.750	5.875
B	0.969	0.969	1.125	1.313	1.500	1.750	2.000	2.375	2.500	3.250	3.750	4.188
C	0.426	0.560	0.693	0.859	1.071	1.335	1.682	1.922	2.410	2.910	3.536	4.545
D	0.438	0.438	0.500	0.563	0.625	0.688	0.750	0.875	0.875	1.000	1.250	1.563
E	0.531	0.531	0.625	0.750	0.875	1.063	1.250	1.500	1.625	2.250	2.500	2.625
LBS	0.65	0.62	0.98	1.35	2.29	3.67	5.20	9.26	9.03	18.28	29.07	38.28

CLASS 9000 – Figure No. 19004

PIPE SIZE	1/8	1/4	3/8	1/2	3/4	1	1-1/4	1-1/2	2	2-1/2	3	4
A	1.063	1.313	1.500	1.813	2.188	2.500	3.000	3.313	3.625	4.313	5.875	---
B	0.969	1.125	1.313	1.500	1.750	2.000	2.375	2.500	3.000	3.375	4.188	---
C	0.426	0.560	0.693	0.859	1.071	1.335	1.682	1.922	2.410	2.910	3.536	---
D	0.438	0.500	0.500	0.500	0.625	0.750	1.000	1.000	0.875	1.000	1.313	---
E	0.531	0.625	0.813	1.000	1.125	1.250	1.375	1.500	2.125	2.375	2.875	---
LBS	0.66	1.11	1.71	2.78	4.89	6.35	10.27	12.62	25.41	26.50	60.35	---