



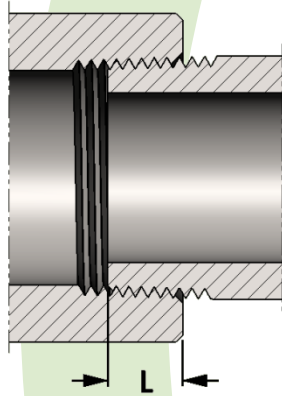
Male x Female Union Tee

ISO 9001 & PED Certified
Canadian Registered in all provinces

Material: Available in a complete range of Carbon Steels, Stainless Steels, Alloy Steels and Non-ferrous metals certified to ASTM, ASME, and Military standards.

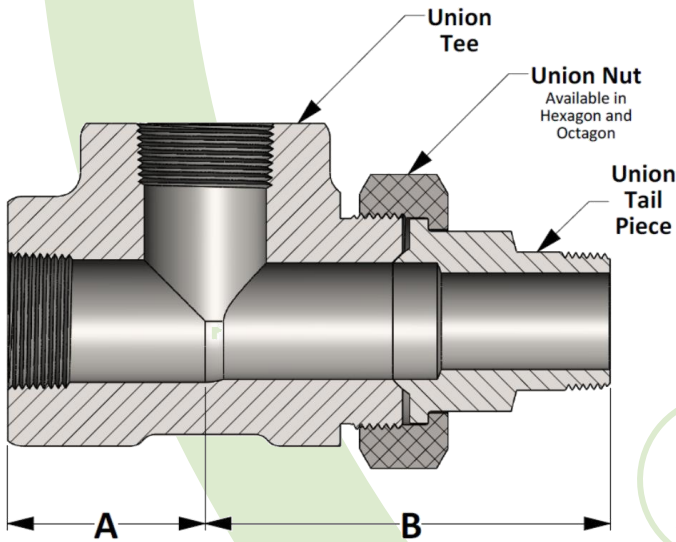
Sizes: 1/8" - 3" in CL 3000
Also available in CL 2000, CL 6000, CL 9000 and CL 10,000 and in reducing pipe sizes.

Threads: American National Standard Taper Pipe Threads NPT (ANSI/ASME B1.20.1-1983)
Also available in other thread forms: NPTF, NPSC, NPSM, NGT, SAE, BSPT, BSPP and in any combination.
Left hand threads available upon request.

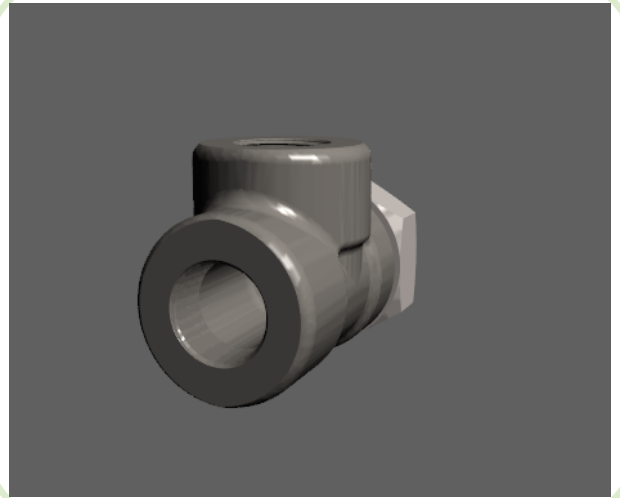


| SIZE | L | SIZE | L |
|-------|-------|-------|-------|
| 1/8 | 0.273 | 2 | 0.697 |
| 1/4 | 0.395 | 2-1/2 | 0.933 |
| 3/8 | 0.407 | 3 | 1.016 |
| 1/2 | 0.534 | 3-1/2 | 1.071 |
| 3/4 | 0.553 | 4 | 1.094 |
| 1 | 0.661 | 5 | 1.187 |
| 1-1/4 | 0.681 | 6 | 1.208 |
| 1-1/2 | 0.681 | 8 | 1.313 |

**Length of thread
screwed into fitting**



**Active
3D
Model**



All dimensions are in inches • Weights are based on Carbon Steel

| Class 3000 – Figure No. 03078 | | | | | | | | | | | |
|-------------------------------|-------|-------|-------|-------|-------|-------|-------|-------|-------|-------|-------|
| PIPE SIZE | 1/8 | 1/4 | 3/8 | 1/2 | 3/4 | 1 | 1-1/4 | 1-1/2 | 2 | 2-1/2 | 3 |
| A | 1.125 | 1.125 | 1.125 | 1.313 | 1.500 | 1.750 | 2.375 | 2.375 | 3.000 | 3.750 | 4.188 |
| B | 2.625 | 2.625 | 2.875 | 3.218 | 3.563 | 4.093 | 4.875 | 4.969 | 6.000 | 6.688 | 7.843 |
| LBS | 1.15 | 1.13 | 1.18 | 1.56 | 2.28 | 3.60 | 4.66 | 7.90 | 9.20 | 27.30 | 32.30 |