



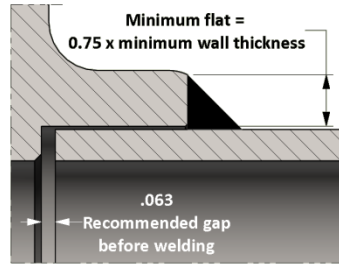
Leg 90° Elbow

ISO 9001 & PED Certified
Canadian Registered in all provinces

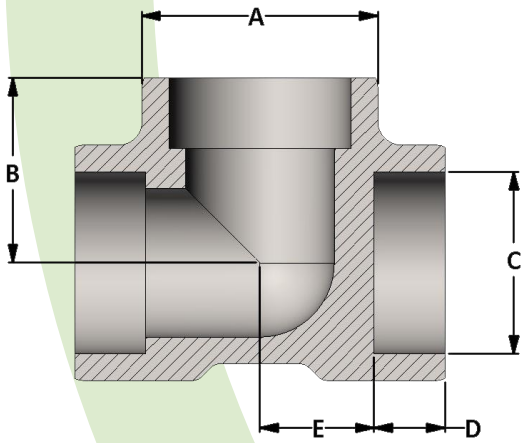
Material: Available in a complete range of Carbon Steels, Stainless Steels, Alloy Steels and Non-ferrous metals certified to ASTM, ASME, and Military standards.

Sizes: 1/8" - 4" in Class 3000 & 6000 • 1/8" - 3-1/2" in Class 9000
Also available in Threaded and Butt weld End Connections

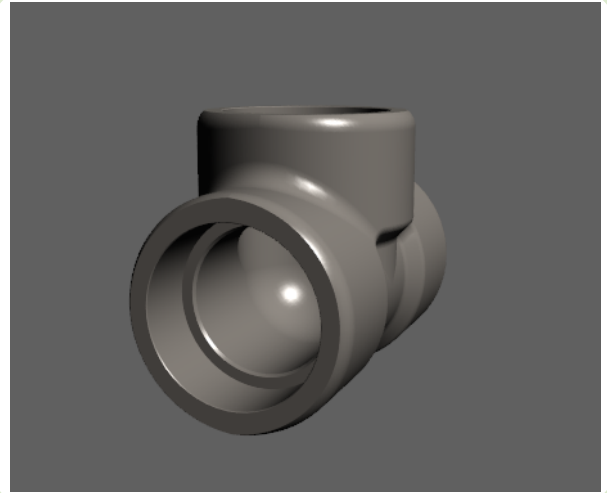
Welding Gap and Minimum Flat Dimension for Socket Weld Fittings



Socket Weld Pressure Class	Pipe Schedule
Class 3000	S80/XH
Class 6000	S160
Class 9000	XXH



Active
3D
Model



All dimensions are in inches • Weights are based on Carbon Steel

CLASS 3000 – Figure No. 13240

PIPE SIZE	1/8	1/4	3/8	1/2	3/4	1	1-1/4	1-1/2	2	2-1/2	3	4
A	0.875	0.875	1.063	1.313	1.500	1.813	2.188	2.500	3.000	3.625	4.313	5.875
B	0.875	0.875	0.969	1.125	1.313	1.500	1.750	2.000	2.375	3.000	3.375	4.188
C	0.426	0.560	0.693	0.859	1.071	1.335	1.682	1.922	2.410	2.910	3.536	4.545
D	0.438	0.438	0.438	0.500	0.563	0.625	0.688	0.750	0.875	1.375	1.125	1.566
E	0.438	0.438	0.531	0.625	0.750	0.875	1.063	1.250	1.500	1.625	2.250	2.625
LBS	0.26	0.23	0.33	0.65	0.94	1.40	2.20	3.29	5.05	9.50	14.25	29.25

CLASS 6000 – Figure No. 16240

PIPE SIZE	1/8	1/4	3/8	1/2	3/4	1	1-1/4	1-1/2	2	2-1/2	3	4
A	0.875	1.063	1.313	1.500	1.813	2.188	2.500	3.000	3.313	4.000	4.750	5.875
B	0.875	0.969	1.125	1.313	1.500	1.750	2.000	2.375	2.500	3.250	3.750	4.188
C	0.426	0.560	0.693	0.859	1.071	1.335	1.682	1.922	2.410	2.910	3.536	4.545
D	0.438	0.438	0.500	0.563	0.625	0.688	0.750	0.875	0.875	1.000	1.250	1.563
E	0.438	0.531	0.625	0.750	0.875	1.063	1.250	1.500	1.625	2.250	2.500	2.625
LBS	0.45	0.42	0.85	1.22	1.98	3.20	4.32	8.59	9.35	16.09	26.54	33.63

CLASS 9000 – Figure No. 19240

PIPE SIZE	1/8	1/4	3/8	1/2	3/4	1	1-1/4	1-1/2	2	2-1/2	3	4
A	1.063	1.313	1.500	1.813	2.188	2.500	3.000	3.313	3.625	4.313	5.875	---
B	0.969	1.125	1.313	1.500	1.750	2.000	2.375	2.500	3.000	3.375	4.188	---
C	0.426	0.560	0.693	0.859	1.071	1.335	1.682	1.922	2.410	2.910	3.536	---
D	0.438	0.500	0.500	0.500	0.625	0.750	1.000	1.000	0.875	1.000	1.313	---
E	0.531	0.625	0.813	1.000	1.125	1.250	1.375	1.500	2.125	2.375	2.875	---
LBS	0.55	0.92	1.39	2.40	3.95	5.84	8.03	11.53	16.93	25.03	51.36	---