

Specification: Weld levels per ASME B16.25

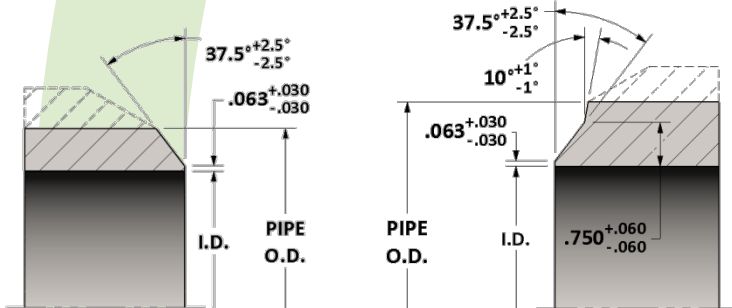
Material: Available in a complete range of Carbon Steels, Stainless Steels, Alloy Steels and Non-ferrous metals certified to ASTM, ASME, and Military standards.

Sizes: 1/2" – 4" in all Schedules

Also available in reducing sizes starting at 1/8" and in other requirements such as special wall thickness

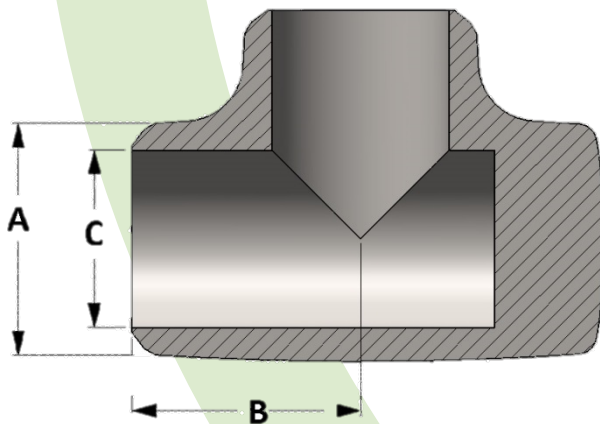
All butt weld tees have been proof tested according to B16.9

Butt Weld Ends Details

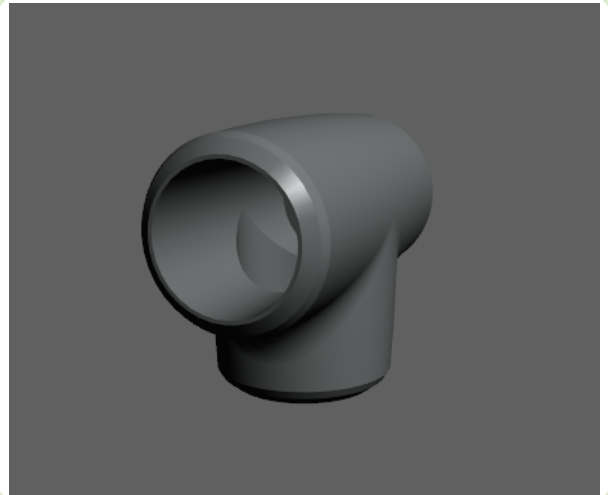


Weld levels for wall thickness below 0.880"

Weld levels for wall thickness above 0.880"



Active
3D
Model



All dimensions are in inches • Weights are based on Carbon Steel

PIPE SIZE	A	B	STD/S40		XH/S80		S160		XXH	
			C	LBS	C	LBS	C	LBS	C	LBS
1/2	0.875	1.000	0.622	0.28	0.546	0.32	0.464	0.40	0.252	0.42
3/4	1.063	1.120	0.824	0.38	0.742	0.45	0.612	0.55	0.434	0.62
1	1.375	1.500	1.049	0.79	0.957	0.85	0.815	1.15	0.599	1.35
1-1/4	1.660	1.880	1.380	1.26	1.278	1.31	1.160	1.95	0.896	2.35
1-1/2	1.900	2.250	1.610	1.85	1.500	1.95	1.338	2.85	1.100	3.12
2	2.375	2.500	2.067	2.66	1.939	2.81	1.689	4.68	1.503	5.10
2-1/2	2.875	3.000	2.469	6.10	2.323	6.50	2.125	8.98	1.771	10.62
3	3.500	3.380	3.068	9.05	2.900	9.75	2.624	13.45	2.300	15.75
4	4.500	4.120	4.026	15.25	3.826	18.50	3.438	23.75	3.152	27.49