

# Concentric Swage Nipple

ISO 9001:2008 & PED Certified  
Canadian Registered in all provinces

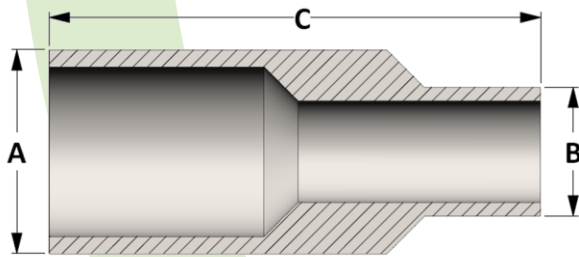
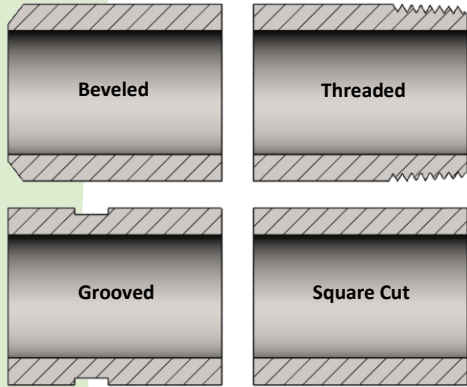
**Specification:** MSS SP-95

Threaded ends per ASME B1.20.1 • Beveled ends per ASME B16.25

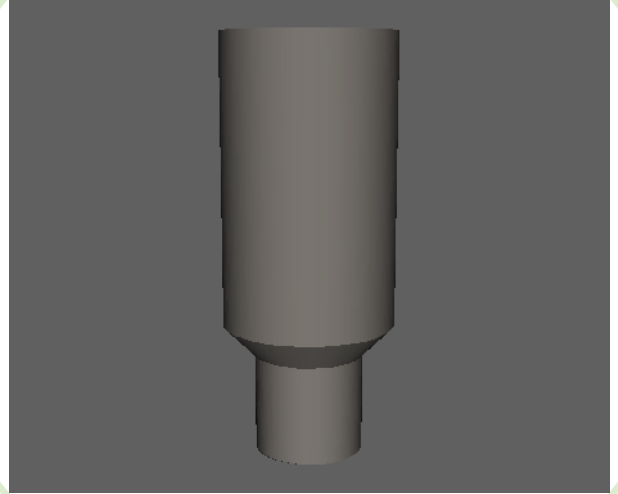
**Material:** Available in a complete range of Carbon Steels, Stainless Steels, Alloy Steels and Non-ferrous metals certified to ASTM, ASME, and Military standards.

**Sizes:** 1/4" - 8" in S40/STD, S80/XH, S160 & XXH  
Also available in special pipe schedules and split schedules

## End Preparations



Active  
3D  
Model



All dimensions are in inches • Weights are based on Carbon Steel

Pipe Size	Dimensions			Weights				
	A	B	C	STD	XH	S160	XXH	
1/4	1/8	0.540	0.405	2.250	0.07	0.09	0.10	0.12
3/8	1/8	0.675	0.405	2.500	0.11	0.14	0.16	0.19
	1/4	0.675	0.540	2.500	0.12	0.15	0.17	0.21
1/2	1/8	0.840	0.405	2.750	0.19	0.22	0.26	0.31
	1/4	0.840	0.540	2.750	0.19	0.23	0.26	0.33
3/4	3/8	0.840	0.675	2.750	0.19	0.23	0.27	0.35
	1/8	1.050	0.405	3.000	0.38	0.43	0.50	0.58
	1/4	1.050	0.540	3.000	0.38	0.43	0.51	0.60
	3/8	1.050	0.675	3.000	0.36	0.43	0.52	0.62
1	1/2	1.050	0.840	3.000	0.35	0.44	0.53	0.66
	1/8	1.315	0.405	3.500	0.58	0.65	0.76	0.88
	1/4	1.315	0.540	3.500	0.57	0.66	0.76	0.90
	3/8	1.315	0.675	3.500	0.56	0.65	0.76	0.91
1-1/4	1/2	1.315	0.840	3.500	0.55	0.65	0.78	0.95
	3/4	1.315	1.050	3.500	0.51	0.63	0.79	0.98
	1/8	1.660	0.405	4.000	1.00	1.13	1.27	1.52
	1/4	1.660	0.540	4.000	1.00	1.14	1.28	1.54
1-1/2	3/8	1.660	0.675	4.000	0.98	1.13	1.28	1.56
	1/2	1.660	0.840	4.000	0.96	1.12	1.28	1.59
	3/4	1.660	1.050	4.000	0.92	1.09	1.29	1.61
	1	1.660	1.315	4.000	0.87	1.07	1.30	1.67
2	1/8	1.900	0.405	4.500	1.34	1.53	1.78	2.08
	1/4	1.900	0.540	4.500	1.34	1.53	1.78	2.11
	3/8	1.900	0.675	4.500	1.32	1.53	1.79	2.13
	1/2	1.900	0.840	4.500	1.31	1.53	1.80	2.16
	3/4	1.900	1.050	4.500	1.27	1.50	1.82	2.19
	1	1.900	1.315	4.500	1.22	1.48	1.83	2.27
2-1/2	1-1/4	1.900	1.660	4.500	1.11	1.41	1.78	2.33

Pipe Size	Dimensions			Weights				
	A	B	C	STD	XH	S160	XXH	
2	1/2	2.375	0.840	6.500	2.73	3.22	4.05	4.64
	3/4	2.375	1.050	6.500	2.67	3.18	4.06	4.67
	1	2.375	1.315	6.500	2.60	3.14	4.06	4.73
	1-1/4	2.375	1.660	6.500	2.44	3.03	3.95	4.77
2-1/2	1-1/2	2.375	1.900	6.500	2.30	2.93	3.96	4.80
	3/4	2.875	1.050	7.000	3.98	4.75	5.71	7.17
	1	2.875	1.315	7.000	3.93	4.72	5.72	7.23
	1-1/4	2.875	1.660	7.000	3.81	4.64	5.66	7.29
3	1-1/2	2.875	1.900	7.000	3.70	4.57	5.68	7.33
	2	2.875	2.375	7.000	3.44	4.40	5.78	7.42
	1	3.500	1.315	8.000	6.86	8.01	9.74	11.57
	1-1/4	3.500	1.660	8.000	6.65	7.86	9.61	11.59
3-1/2	1-1/2	3.500	1.900	8.000	6.47	7.73	9.59	11.60
	2	3.500	2.375	8.000	6.03	7.41	9.60	11.61
	2-1/2	3.500	2.875	8.000	5.78	7.30	9.46	12.09
	1-1/2	4.000	1.900	8.000	8.36	9.91	---	14.60
4	2	4.000	2.375	8.000	7.90	9.56	---	14.54
	2-1/2	4.000	2.875	8.000	7.59	9.38	---	14.92
	3	4.000	3.500	8.000	6.79	8.81	---	15.03
	1-1/2	4.500	1.900	9.000	14.42	16.38	19.75	22.23
4-1/2	2	4.500	2.375	9.000	13.56	15.66	19.40	21.88
	2-1/2	4.500	2.875	9.000	12.80	15.06	18.75	21.96
	3	4.500	3.500	9.000	11.22	13.76	18.03	21.47
	3-1/2	4.500	4.000	9.000	9.72	12.53	---	21.01
6	3	6.625	3.500	12.00	28.00	34.08	44.36	50.24
	3-1/2	6.625	4.000	12.00	26.90	33.28	---	50.32
	4	6.625	4.500	12.00	25.68	32.40	44.21	50.47
	5	6.625	5.563	12.00	22.55	30.21	44.35	50.89