

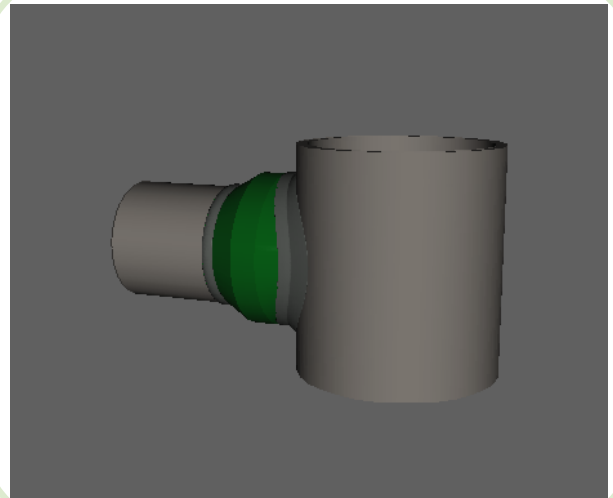
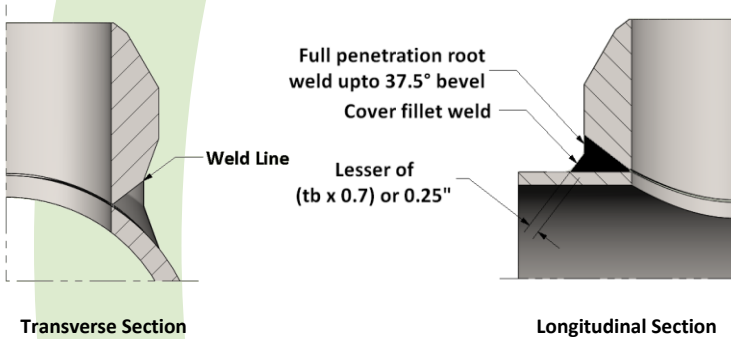
Butt Weld Outlet

Specification: ASME B31.1 & MSS-SP97
Also in ASME B31.3, ASME B31.8, and
ASME BPVC Sec I & Sec VIII Div 2

Material: Available in a complete range of Carbon Steels, Stainless Steels, Alloy Steels and Non-ferrous metals certified to ASTM, ASME, and Military standards.

Sizes: 1/8" – 72" in all Schedules
Also available in other requirements such as pressure and temperature specifics and special header, branch wall thickness

Welding onto Header Pipe



Active
3D
Model

All dimensions are in inches • Weights are based on Carbon Steel

PIPE SIZE	STD – Figure No. 45502			XH – Figure No. 48502			S160 – Figure No. 52502			XXH – Figure No. 53502		
	A	C	LBS	A	C	LBS	A	C	LBS	A	C	LBS
1/8	0.625	0.269	0.08	0.625	0.215	0.10	1.000	0.157	0.12	---	---	---
1/4	0.625	0.364	0.08	0.625	0.302	0.08	1.125	0.250	0.15	---	---	---
3/8	0.750	0.493	0.15	0.750	0.423	0.15	1.125	0.359	0.20	---	---	---
1/2	0.750	0.622	0.18	0.750	0.546	0.20	1.125	0.466	0.23	1.125	0.252	0.23
3/4	0.875	0.824	0.25	0.875	0.742	0.31	1.250	0.614	0.65	1.250	0.434	0.65
1	1.063	1.049	0.50	1.063	0.957	0.55	1.500	0.815	0.78	1.500	0.599	0.78
1-1/4	1.250	1.380	0.80	1.250	1.278	0.90	1.750	1.160	1.16	1.750	0.896	1.16
1-1/2	1.313	1.610	1.00	1.313	1.500	1.10	2.000	1.338	1.60	2.000	1.100	1.60
2	1.500	2.067	1.75	1.500	1.939	1.75	2.188	1.689	1.95	2.188	1.503	1.95
2-1/2	1.625	2.469	2.50	1.625	2.323	2.28	2.438	2.125	3.02	2.438	1.771	3.02
3	1.750	3.068	3.82	1.750	2.900	3.50	2.875	2.624	5.75	2.875	2.300	5.75
3-1/2	1.875	3.548	5.10	1.875	3.364	4.75	---	---	---	---	---	---
4	2.000	4.026	6.20	2.000	3.826	5.00	3.438	3.438	9.56	3.438	3.152	9.56
5	2.250	5.047	8.00	2.250	4.813	8.50	3.688	4.313	12.65	3.688	4.063	12.65
6	2.375	6.065	11.50	3.063	5.761	15.00	4.125	5.189	25.25	4.125	4.897	25.25
8	2.750	7.981	22.00	3.875	7.625	35.00						
10	3.063	10.020	37.00	3.688	9.750	46.00						
12	3.375	12.000	44.00	4.063	11.750	63.00						
14	3.500	13.250	63.00	3.938	13.000	72.00						
16	3.688	15.250	76.00	4.188	15.000	102.00						
18	3.813	17.250	100.00	4.375	17.000	130.00						
20	4.000	19.250	112.00	4.688	19.000	163.00						
24	4.563	23.250	210.00	5.500	23.000	271.00						
26	4.688	25.250	245.00	5.750	25.000	325.00						
30	5.375	29.250	375.00	---	---	---						
36	5.375	35.250	498.00	---	---	---						
48	5.813	47.250	1125.00	---	---	---						

The "A" dimension corresponds to the size and schedule of the Header pipe and is available upon request.

The "A" dimension corresponds to the size and schedule of the Header pipe and is available upon request.